

ONU XPON 4GE WIFI 5G RF GPNC14C

5G



BRIEF VIEWS

KT's GPON ONU GPNC14 combination of Data ONU + WIFI + Optical receiver , which is mainly designed for Operator and fully complies with ITU-T 984 standards.

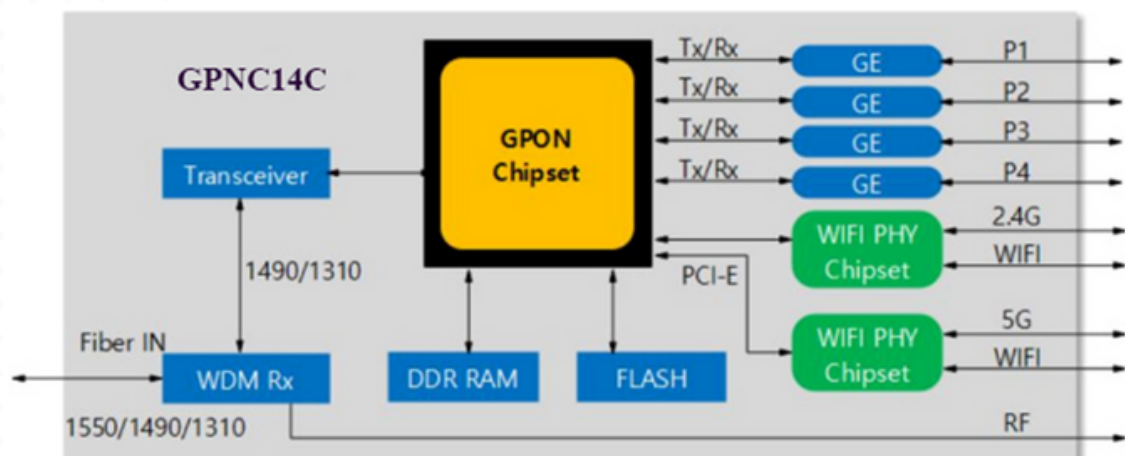
FEATURES

- 1 Core WDM solution
- Transmission rate: downstream 2.5 Gbps, upstream 1.25 Gbps
- Support OLT configure the ONU WAN interface and RF management
- Powerful wireless WIFI coverage. Support 802.11AC dual-band WiFi with high-performance data forwarding. External 2x2 MIMO (2.4G & 5G) antenna, Gain 5dBi, multi-SSID and WPS.
- QoS guarantees for Ethernet services, support for SLAs and DBAs
- Support IGMP multicast and effectively use broadband.
- Provide 4 GE thernet ports to support port isolation.
- Support Ethernet loop detection, automatically determine whether there is Ethernet loop blocking on the network connected to the device, and automatically recover when the loop disappears.
- Support VLAN function, support VLAN tag, transparent, etc.
- Rich OAM function design, including configuration, alarm, performance monitoring, fault isolation and security management, providing remote management through OLT and local console management.
- Low power consumption <7W.

ONU XPON 4GE WIFI 5G RF GPNC14C

5G

TECHNICAL SPECIFICATIONS



Parameter	Specifications	
GPON Interface	Physical Interface	Fiber 1 Input: SC/UPC
	Receive range	-8 ~ -28dB
RF Interface	Physical Interface	Fiber 2 Input: SC/APC WDM inside
	Range	-18~ 0dBm, -15 ~ 0dBm(AGC)
	Output	1 Port out, 74dBuV
	TV output ON/OFF	55dBc
Ethernet Interface	Interface Data Rate	4x10/100/1000M auto-negotiation
	Connector Type	RJ45
Wireless Interface	Wireless Standards	IEEE802.11b/g/n/ac
	Power of transmitter	<50mW(13dBm)
	Frequency	2.412-2.462(11 channels)
	Rate	11ac: Up to 786Mbps(dynamic)
		11n: Up to 300Mbps(dynamic)
		11g: Up to 54Mbps(dynamic)
	EIRP	<18dBm(EIRP)
	Reception Sensitivity	135M: -68dBm@10% PER
		54M: -70dBm@10% PER
	Wireless Functions	Enable/Disable Wireless Radio
Wireless Security	64bit WEP / WPA / WPA2, WPA-PSK / WPA2-PSK	
Antenna	5dBi Undetachable Omni Directional	
Management Standard	SNMP(OMS), Web GUI, CLI, OMCI, TR069	
Network Capability	Support VLAN TAG/UNTAG 802.1Q	
	Support IGMP v1 / v2 / v3	
	Support L2/L3 the wire speed forwarding	
	Support IEEE 802.1p standard	
	Support GEM/WIFI speed limitation	
	Support WAN configuration based on CLI	
Dimension	210*180*28mm or 185*150*42mm,	
Operating temperature	-10~50 °C	
Storage temperature	-30~60 °C	
Environmental humidity	10% to 90%, non-condensing	
Power Consumption	<7W	
Power Supply	External 12V DC/ 1A	