

# XPON ONT SUX1G 1GE BRIDGE + ROUTER



## BRIEF VIEWS

SUX1G dual-mode ONU supports EPON and GPON two modes access. The ONU automatically switches into the corresponding PON mode by identifying the local OLT mode to complete GPON or EPON adaptive access.

SUX1G features high-performance forwarding capabilities to ensure excellent experience with Internet and HD video services. It has good third-party compatibility to work with the third party OLT, such as Huawei/ZTE/Fiberhome/Alcatel-Lucent. It provides a perfect terminal solution and future-oriented service supporting capabilities for FTTH deployment.

## FUNCTIONAL FEATURES

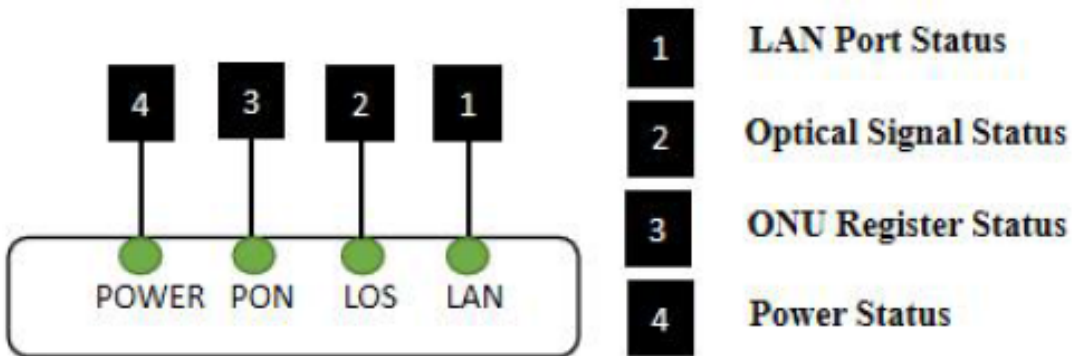
- In compliant with IEEE802.3ah and ITU - T G.984 standard
- Support ONU auto-discovery/Link detection/remote upgrade of software
- Support multiple registration methods
- Support port VLAN configuration
- Support mac-address learning
- Support port-based rate limitation and bandwidth control
- Support port flow-control
- Support broadcasting storm resistance function
- Support igmp transparent/snooping/proxy mode
- Support Dynamic Bandwidth Allocation (DBA)
- Support three layer routing function
- EMS network management based on SNMP ,convenient for maintenance

# XPON ONT SUX1G 1GE BDRIGE + ROUTER

## PRODUCT LED + INTERFACE



- 1** DC Power Port
- 2** LAN Port
- 3** PON Optical Port



- 1** LAN Port Status
- 2** Optical Signal Status
- 3** ONU Register Status
- 4** Power Status

Indicator			Description
1	LAN	LAN port status	On: Ethernet connection is normal; Blinking: Data is being transmitted through the Ethernet port; Off: Ethernet connection is not set up;
2	LOS	XPON optical signals	On: Optical power lower than receiver sensitivity ; Off: Optical in normal
3	PON	ONT Register	On: Success to register to OLT; Blinking: In process of registering to OLT; Off:Failed to register to OLT or no normal optical signal input;
4	PWR	Power status	On: The ONT is power on; Off: The ONT is Power off;