

ONU XPON 1GE 1FE WIFI 2.4 TRF GPNC0C



BRIEF VIEWS

KT PON ONU GPNC0C is mainly designed for broadband application, it supports 1GE+1FE+WIFI antenna + Optical Receiver + WDM all with deliver a complete broadband solution and importantly compatible with all platform OLT, GPNC0C is comply with ITU-T and IEEE recommended standards.

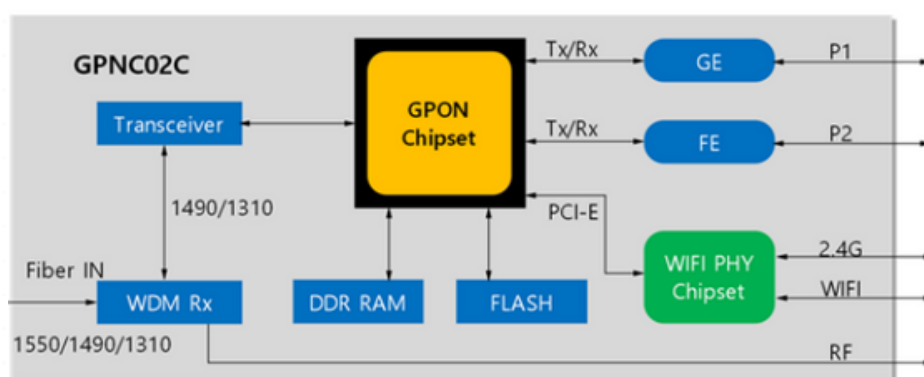
FEATURES

- Supports downstream 2.5Gbps upstream 1.25Gbps PON transmission rates.
- Support QoS, SLA, DBA
- 1 core solution, In build WDM
- Support RF Management, turn on/off the RF output
- Support port isolation
- Supports Ethernet loop detection
- Support VLAN



ONU XPON 1GE 1FE WIFI 2.4 TRF GPNC0C

TECHNICAL SPECIFICATIONS



Chipset	Realtek(XPON)	
G/EPON Interface	Physical Interface	SC/APC, Class B+
Ethernet Interface	2*RJ45	1x10/100/1000M auto- negotiation
		1x100M auto-negotiation
Optical Receiver(TV)	Optical Input Range	-18 ~ 0 dBm, AGC -15 ~ -5 dBm
	RF Output Power	74 dBuV
	RF ON/OFF	55dBc
Wireless Interface	Wireless Standards	IEEE802.11b/g/n
	Power of transmitter	<50mW(13dBm)
	Frequency	2.412-2.462(11 channels)
	Rate	11n: Up to 300Mbps(dynamic)
		11g: Up to 54Mbps(dynamic)
	EIRP	<20dBm(EIRP)
	Reception Sensitivity	135M: -68dBm@10% PER
		54M: -70dBm@10% PER
	Wireless Functions	Enable/Disable Wireless Radio
	Wireless Security	64bit WEP / WPA / WPA2,WPA-PSK / WPA
Antenna	5dBi Undetachable Omni Directional	
Management	Antenna	
Standards	ITU-T G.984.X, ITU-T G.988	
Network Capability	Support VLAN TAG/UNTAG 802.1Q	
	Support IGMP v1 / v2 / v3.	
	Support IEEE 802.1p QoS classification policy	
	Support L2/L3 the wire speed forwarding	
Dimension	140 x 91 x 29mm	
Power Consumption	<7W	
Power Supply	External 12VDC, 0.7A	